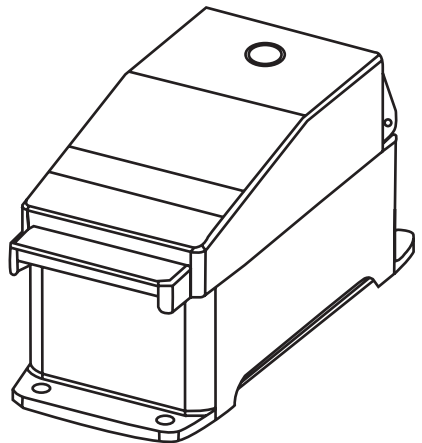




UNADA

LEADING MOTOR COMPANY

USER INSTRUCTIONS PINK BOX



REF: 000029

DATASHEET

Pink Box

ROBUST OEM & FIELD SERVICE PROGRAMMERS

- Sturdy connector.
- Permanent mounting option.
- Validation program check.
- Automated programming option.
- Safe Extra-Voltage (ELV).

INSTALLATION

Installing the Unada motor configuration software is a 3 step process.

Warning : Do not connect a motor to the programming box until all steps completed. In the event any step is unsuccessful please see fault finding guide at the bottom of this page.

Step 1 Install Interface Box Drivers

Power up and plug in the programming box, allow windows to automatically search for and install driver.

Step 2 Installing the Unada Configuration Software

2 Wire: <https://s3-ap-southeast-1.amazonaws.com/unada-singapore/UnadaSandflyConfig.exe>

3 Wire: <https://s3-ap-southeast-1.amazonaws.com/unada-singapore/UnadaMotorConfig.exe>

3 Wire- UC Max: <https://unada-singapore.s3-ap-southeast-1.amazonaws.com/UnadaMultistateMotorConfig.exe>

Download this file and save it to your preferred location.

Step 3 Running the Software

- 1) If not still connected, connect the interface box to PC/Tablet.
- 2) Run the config. Software

You can now connect a Unada motor to the programming interface box.



PINK BOX



2 WIRES
BLUE
BROWN



3 WIRES
BROWN
BLACK
BLUE

OUTPUT	2W	3W
BROWN	BLUE	BROWN
BLACK		BLACK
BLUE	BROWN	BLUE

TROUBLESHOOTING

Step 1 Install Interface Box Drivers

In the event that the driver does not install automatically it is possible to install it manually Click the link <https://drive.google.com/file/d/0B8fOaUZA05URZzVGQ1RSTU1uUXc/view?usp=sharing> Choose "setup executable" from the comments column, which will pick the correct driver for your version of windows and follow the download and install prompts.

Step 2 Running the Software

If an error message appears when opening the config. software, Close the motor config. dialogue box.
Check the interface box is connected correctly both USB and power pack.
Re-run config. software.

SAFETY INFORMATION & WARNING

The device may only be transported, unpacked, installed, operated, maintained and otherwise used by qualified, trained and authorised technical staff.

Only authorised specialists are permitted to install the device, to carry-out a test run and to perform work on the electrical installation.



DANGER

Electrically Charged Device

Risk of electric shock

- When working on an electrically charged device, stand on a rubber mat.



WARNING

Live terminals and connections even with device switched off

Electric shock

- Wait five minute after disconnecting the voltage at all poles before opening the device.



DANGER

Rotating Device

Risk of injury to body parts coming into contact with the rotor or the impeller.

- Secure the device against accidental contact.
- Before working on the system/machine, wait until all parts have come to standstill.



WARNING

Rotating Device

Long hair and dangling items of clothing, jewelry and the like can become entangled and be pulled into the device. injuries can result

- Do not wear any loose-fitting or dangling clothing or jewelry while working on rotating parts.
- Protect long hair with a cap.